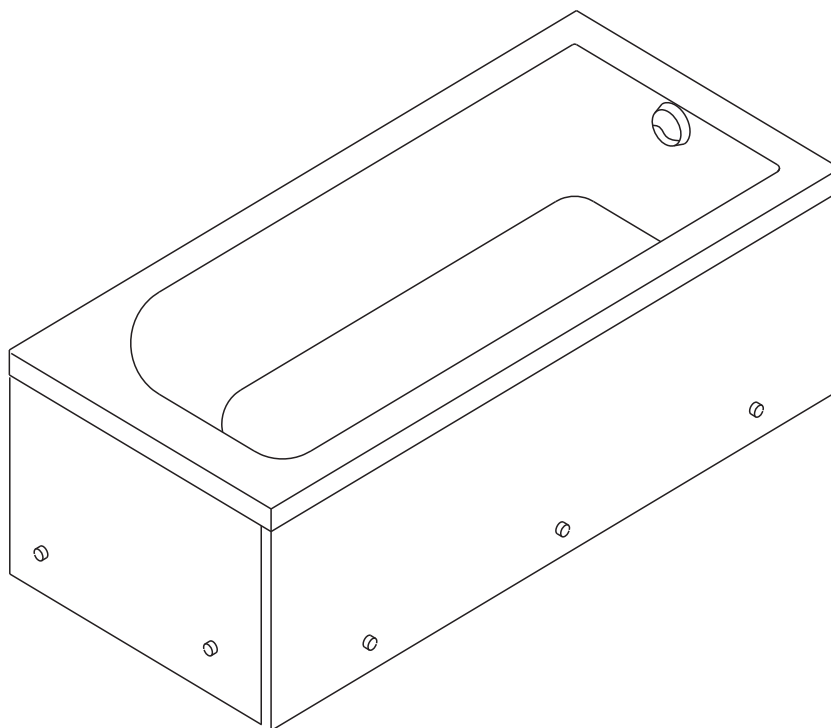


Assembly manual

Bathtubs & Trays

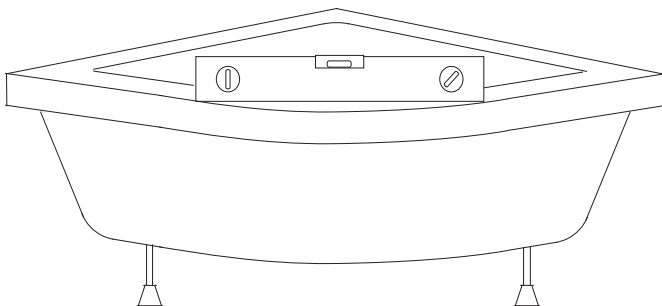
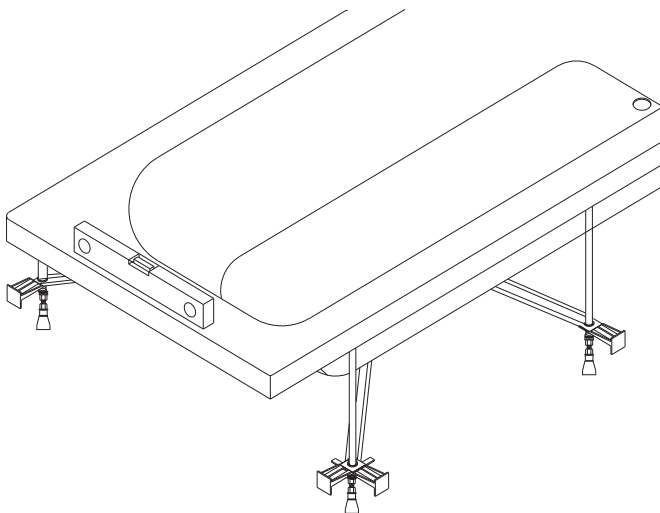


BATHTUB & SHOWER TRAY HEIGHT AND SCALE ADJUSTMENT

1. Bathtub and shower trays should be installed after the floor and Wall ceramics are finished.

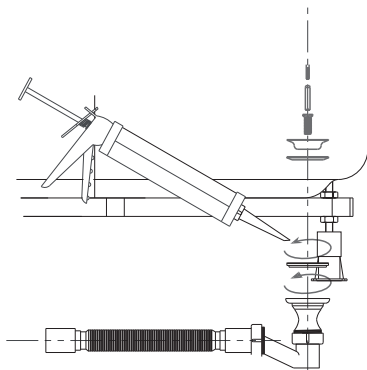
2. Adjust the tub feet according to the panel height.

3. Take the scale from the upper surface of the tub. While doing the leveling process, make sure that your bathtub is exactly on the balance.

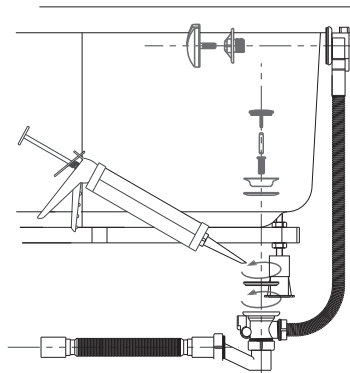


BATHTUB & SHOWER TRAY SIPHON INSTALLATION AND USE

1. Remove the parts of the protective film on the tub that come around the siphon hole.
2. When replacing the tub siphon, first spray the parts that come into contact with the tub from the bottom and inside of the tub, as shown in the figure, and mount the other parts of the siphon on the tub.
(Do not move the tub or fill it with water before the silicone dries.)
3. Connect the siphon outlet and to the wastewater drain.

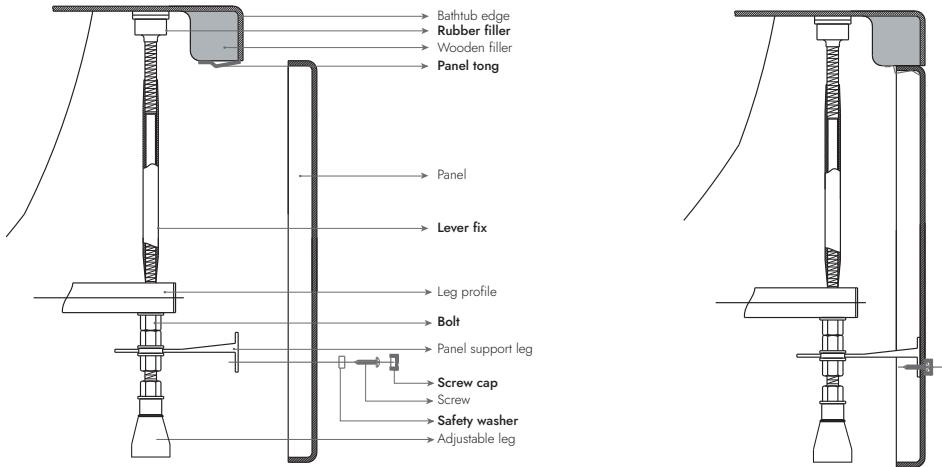


Shower tray siphone mounting



Bathtub siphone mounting

PANEL MOUNTING

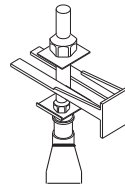


1. Remove the protective foils of the panels.

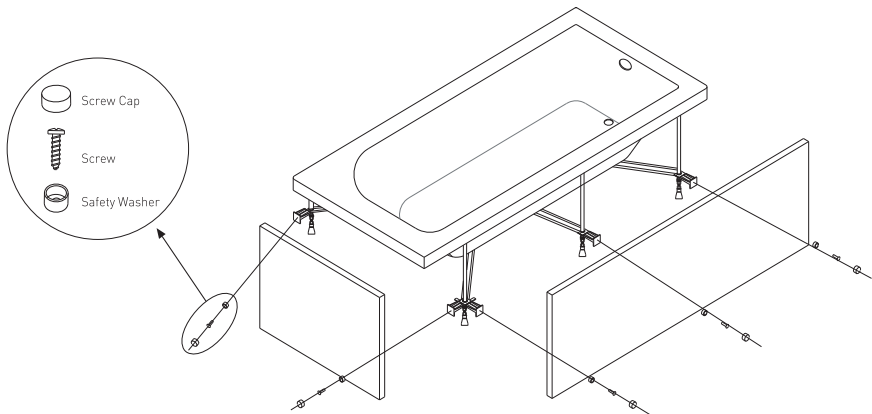
2. If the product you purchased has a side panel, the assembly sequence should be first the side panel and then the front panel.

3. The front edge skirts of the tub have fixed panel tongs for panel mounting the panel top fold should be attached to these tongs.

4. The panel is fixed to the panel support leg using the screw set.

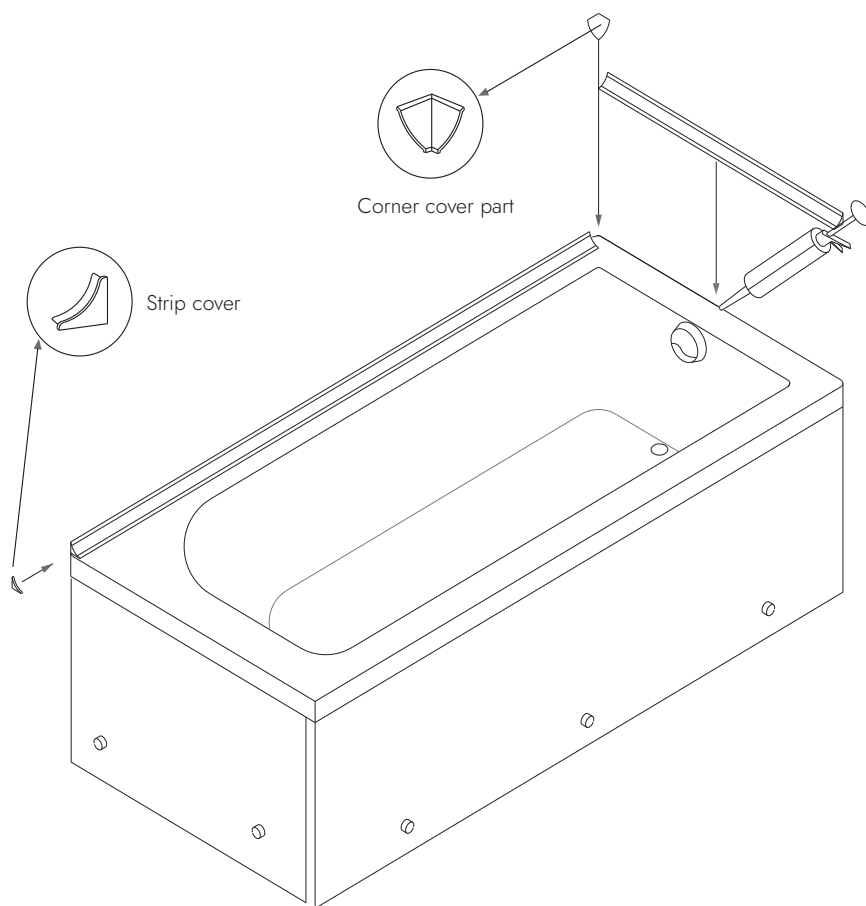


Panel support set



SILICONIZATION AND LATH INSTALLATION

1. After removing the protective foil on your bathtub, which is fixed to the wall and has a siphon, apply silicone to the edges of the bathtub that are in contact with the wall.
2. After the outer end of the tub is closed with the strip cover, fill the channel under the strip with silicone and stick it to the silicone floor.
3. Then fill the back of the corner closing device with silicone and close the corner.



MAINTENANCE AND CLEANING

1. The product should not be contacted with strong chemicals (acetone, salt spirit, abrasive powder detergent, arabic soap, paint removing chemicals, solvents, etc.) and hard scratching cleaning sponge.
2. **Immediately after using the product, clean it with warm water using a liquid bathroom cleaner and a soft cloth, in this way you will prevent the formation of limescale.**
3. Burning cigarettes and fiery objects should be kept away from the bathtub.
4. **If the construction works inside the bathroom will continue after the assembly process, the thin protective foil o the product should not be removed.**
5. If the surface of the product looks dull or scratched, the thin protective film on it may not have been removed or you may not be using appropriate cleaning materials.
6. **If the product drain is clogged frequently, hair or soap residues may have clogged your siphon over time, you can clean the siphon drain with a sink opener.**
7. If water is leaking under the product, check the silicone application between the product and the wall.

CERTIFICAT DE GARANȚIE

IMPORTATOR:

S.C. REGATA S.R.L. CUI: R03180640
Strada Laminorului nr. 65, Târgoviște, Dâmbovița, România
Tel: 0040 372 712 595 E-mail: office@regata.ro

TIP PRODUS : Bathtub - Shower tray
MARCĂ : Celesta
GAMĂ :
TIP :
DATA LIVRARE :
NR. / DATA FACTURĂ :
PERIOADĂ GARANȚIE : 2 Ani
TIMP MAXIM REPARAȚIE : 20 zile lucrătoare
VÂNZĂTOR :
ADRESĂ :
TELEFON :

Vânzătorul este scutit de obligațiile garanției în următoarele cazuri:

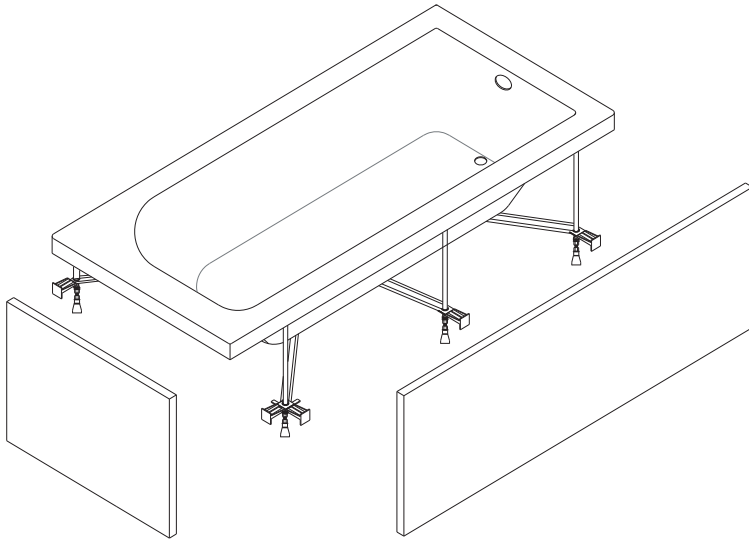
- Dacă produsul este folosit neconform de către utilizator
- Dacă montarea sau utilizarea produsului este inadecvată
- Dacă întreținerea produsului se realizează într-un mod inadecvat

SEMNĂTURĂ / ȘTAMPILĂ

PENTRU ASIGURAREA GARANȚIEI, TOATE INFORMAȚIILE TREBUIE COMPLETATE, IAR DOCUMENTUL TREBUIE SEMNAT ȘI ȘTAMPILAT DE CĂTRE VÂNZĂTOR.

TS EN 249





AB Security Standards
Certificate of conformity



Turkish Standards
Certificate of conformity



Quality Management
System



Occupational health and
Safety management system



Service Competence
Certificate



After selling Service
Competence Certificate

